

The photograph may not match the reference exactly. Please read the product description to identify the finish.

TECeNfCAi CeARACTERfSTfCS



Product Model:	B-04FRLED10-36	B-04FLED10-36
IP Protection degrees	IP65	IP65
IK Protection degrees	IK08	IK08
Light source:	36x SMD 2835	36x SMD 2835
Total power consumption	10W	10W
Luminous Flux:	700Lm	700Lm
Luminous efficiency:	60~70Lm/w	60~70Lm/w
Color temperature:	4000K as standard. Optimal 2700K, 3000K & 5700K. Amber LED available WITH MICROWAVE CONTROLLER	4000K as standard. Optimal 2700K, 3000K & 5700K. Amber LED available WITHOUT MICROWAVE CONTROLLER
Voltage/Frequency:	100-240V/50-60Hz	100-240V/50-60Hz
Warranty(Years):	5	5
Units per box:	1	1
Net Weight(Kg)	1.6	1.5

MATERIALS / FINISHES

Structure material: High purity aluminium	Diffuser material: Pc
Structure finish: Silver	Diffuser finish: Transparent

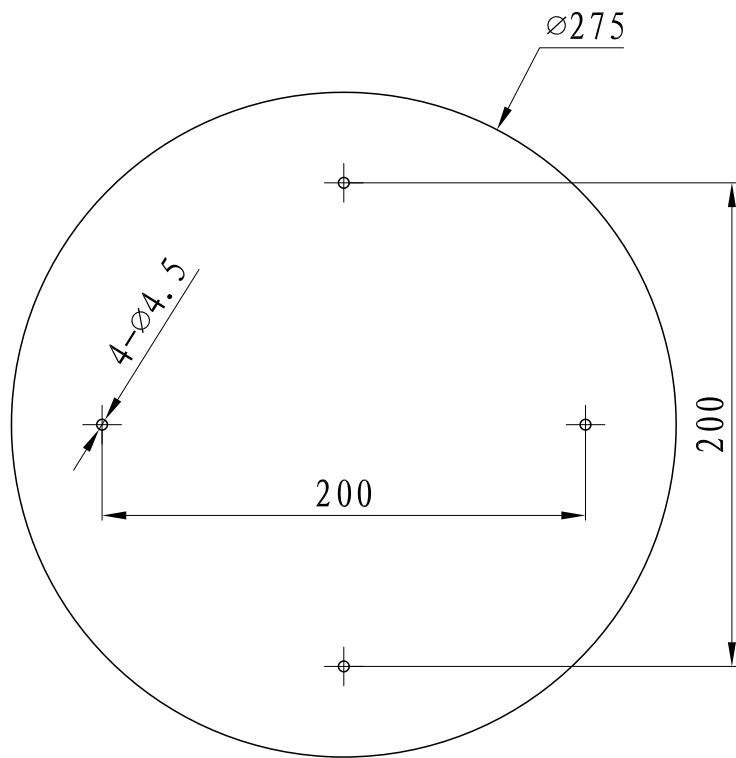
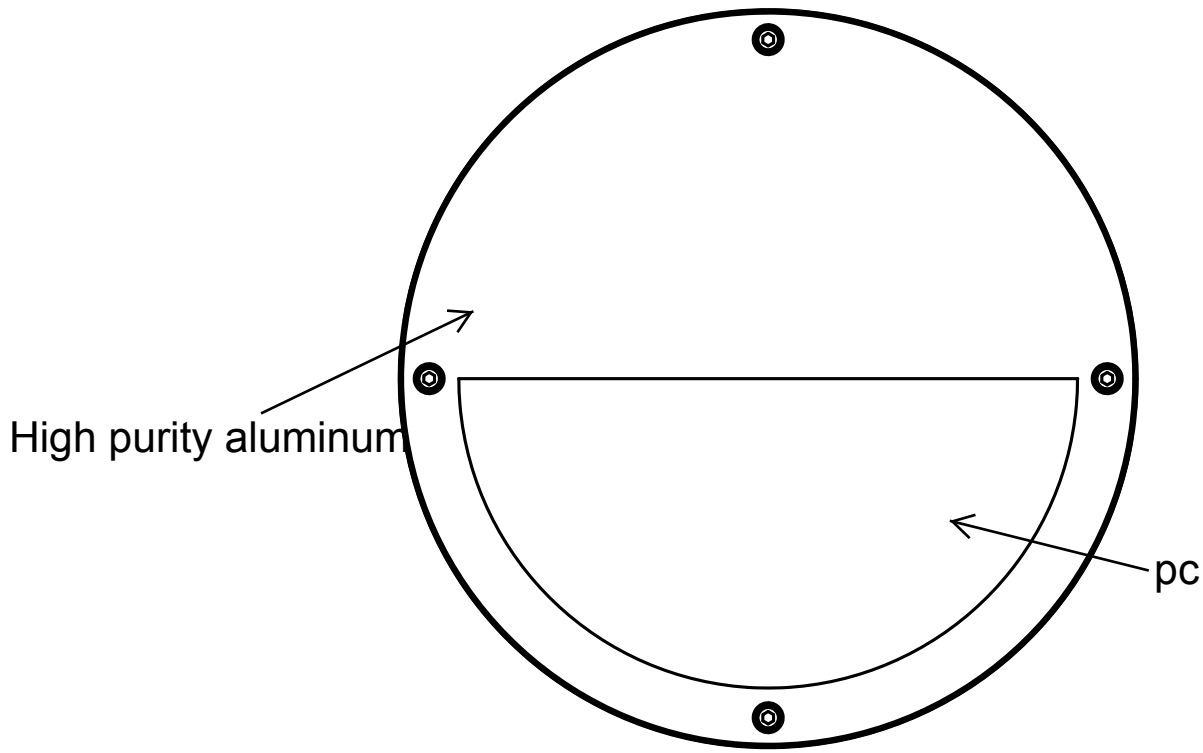
GEAR

Multi-voltage electronic gear included (110-240 V / 50-60 Hz)

Lm^(N): Nominal flow of light in actual working conditions. Its actual flow will depend on the environmental conditions and the efficiency of the optics and/or diffuser.

Kled reserves the right to make the necessary technical changes they deem adequate, in order to improve the features of the product. Please consult the sales team to clarify any doubt.

Tel.: +86 574 62566 890
Email: info@kled.com.cn
http://www.kled.com.cn/



installation template